

## Adaptabel® DC Vibrating Bells

*Explosionproof, NEMA Type 4*

### 435EX Series

#### FEATURES

- > 6", 8" and 10" gong sizes
- > Low power drain for efficient operation over long wire runs
- > Completely assembled
- > Weatherproof
- > Diode Polarized Models available for use in electrically supervised circuits

#### AGENCY APPROVALS

- > UL 1203 Listed
- > UL Listed for Class I, Divisions 1 and 2, Groups B, C and D; Class II, Divisions 1 and 2, Groups E, F and G; and Class III
- > NEMA Type 4

#### SPECIFICATIONS

- > Adjustment free self-compensating plunger
- > Corrosion resistant finish

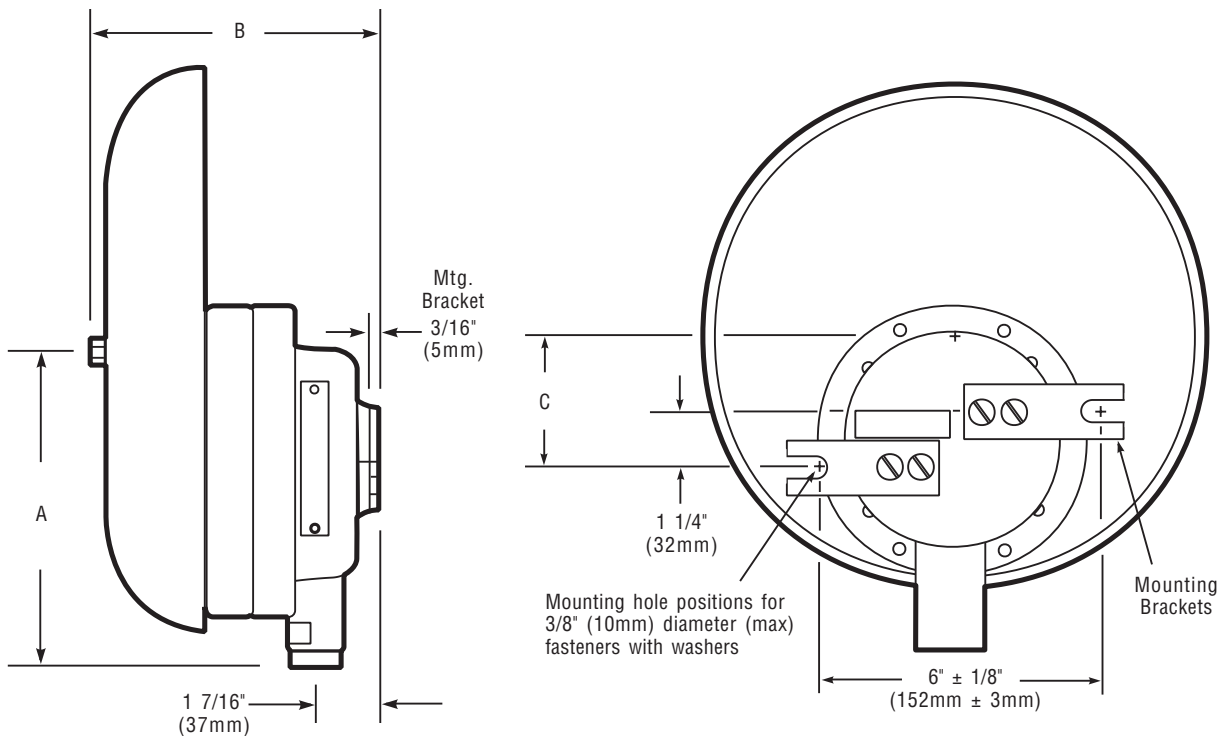
Hazardous location DC vibrating bells produce a distinctive, loud, and clear ringing sound that is free of mechanical clatter. The striker continues to strike the gong in rapid-fire action as long as current is applied.

Mounts to any solid surface using 3/8" (10mm) fasteners. Units fitted with a sealing fitting for 3/4" (19mm) conduit and wire leads for power connections.

Specified for timing, scheduling, paging, and general alarm applications in: Refineries, gasoline storage and dispensing areas, Petrochemical manufacturers, Spray paint areas, Aircraft hangers, Grain dust areas in granaries and flour mills, and Industrial firms using flammable liquids.



## TECHNICAL INFORMATION



Gong Size	Dimensions		
	A	B	C
6" (152mm)	4 1/16" (103mm)	4 13/16" (122mm)	5/8" (16mm)
8" (203mm)	5 1/16" (129mm)	5 1/4" (133mm)	1 5/8" (41mm)
10" (245mm)	6 1/16" (154mm)	5 3/8" (137mm)	2 5/8" (67mm)

Cat No.	Volts	RMS Current	dB at 1m / 10 ft.	Gong Size
435EX-6C1	6	1.520		
435EX-6E1	12	0.520		
435EX-6G1	24	0.240	89/83	6" (152mm)
435EX-6K1	48	0.110		
435EX-6P1	125	0.040		
435EX-6S1	250	0.023		
435EX-8G1	24	0.290		
435EX-8K1	48	0.110	92/86	8" (203mm)
435EX-8P1	125	0.040		
435EX-8S1	250	0.023		
435EX-10E1	12	0.520		
435EX-10G1	24	0.290	95/89	10" (254mm)
435EX-10P1	125	0.040		
435DEX-6G1+	24	0.290	89/83	6" (152mm)
435DEX-8G1+	24	0.290	92/86	8" (203mm)
435DEX-10G1+	24	0.290	95/89	10" (254mm)

\*Diode polarized for use in electrically supervised circuits. CSFM Listed